



PRIMECARE®  
PCB901 Rotating Half Rail  
INSTRUCTION MANUAL



## PrimeCare™ PCB901 Rotating Half Rail

**Intended use:** The rotating half rails are intended to help patients with exit from and entry to the PCB901 bed. These devices are NOT intended to be used for restraint purposes.

**Intended application environment:** This device is intended to be used in a long term care facility, application environment 3. The environmental conditions for use and storage are as follows.

Use Environment:	Ambient temperature: 10°C ~ 40°C (50°F~104°F) Relative humidity range: 30% ~ 75%
Transport/storage environment:	Ambient temperature: -10°C ~ 50°C (14°F~122°F) Relative humidity range: 10% ~ 93%

**Maximum patient weight/safe working load:** This device is not intended to support the entire weight of a patient. This device has been tested to allow a downward load of 750 N (168 lbf) and a side load of 500 N (112 lbf).

**Description of device function:** This device has a single upright locked position. When the upright locked position is not desired, the lock may be released by lifting the handle to unlock and then rotate the device down to its lowered position.

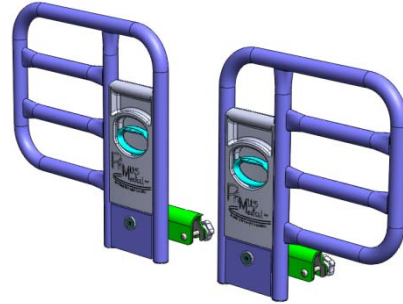
**Frequently used functions:**

- Lift the release handle to rotate the device.
- The device locks only in the upright position.

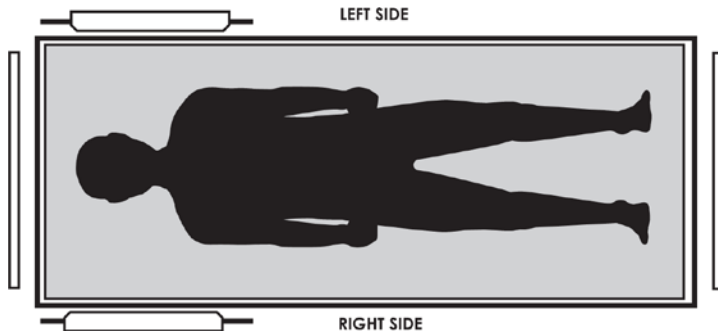
**Contraindications to use:** This device shall not be used with patients who do not have the cognitive ability to understand the operation of the device or have the strength to release the device from its locked position.

**Contents of package:**

Description	QTY
Right side rotating assist bar	1
Left side rotating assist bar	1
3/8" x 2.5" square neck bolt	4
3/8" knob	4



**Left/right reference graphic:**



**STANDARD CONVENTIONS USED**



**DANGER**

Information that appears under the DANGER description concerns the protection of personnel from direct and pending hazards that, if not avoided, will result in immediate, serious personal injury or death in addition to damage of the equipment.



**WARNING**

Information that appears under the WARNING description concerns the protection of personnel from possible hazards that can result in injury or death in addition to damage of the equipment.



**CAUTION**

Information that appears under the CAUTION description concerns the protection of personnel from possible hazards that may result in minor injury or damage of the equipment.

**NOTE:**

Information that appears under the NOTE description gives added information, which helps in understanding the item being described.

**Safety information:**



**DANGER**

These devices are only to be mounted in the positions and orientations shown in this documentation. Failure to comply with these instructions could result in patient/user/operator harm and or death.



**WARNING**

This device is only to be used with the Primus Medical PrimeCare™ B901 bed frame.



**WARNING**

This device rotates. When routing cables from other equipment in the medical bed, precautions shall be taken to avoid squeezing those between parts of the medical bed.



**WARNING**

No modification of this equipment is allowed.



**WARNING**

Do NOT use assist bars as handles for moving the bed.



**WARNING**

Keep all moving parts free of obstructions.



**WARNING**

**NEVER** allow anyone under the bed at any time.



**WARNING**

Supervision is required when this product is operated by or near children or people with disabilities.



**WARNING**

DO NOT let any body parts protrude over the side or between parts, especially when the bed is being moved or operated.

**WARNING**

Bed should be at lowest suitable height for entry and exit.

**ENTRAPMENT WARNING**

Accurate assessment of the patient and monitoring of correct maintenance and use of equipment are required to prevent entrapment. For additional information on product and safety issues for bed frames and rails review the manual specific to the products you are using. If bed frames have been serviced or any other adjustments have been made, make sure all parts are securely back in place before operating the bed frame.

**ENTRAPMENT WARNING**

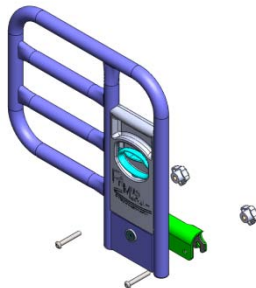
The risks associated with these devices used in conjunction with specialty mattresses and mattress overlays have not been evaluated. When these specialty mattresses or mattress overlays are used the end use facility must take steps to ensure that the therapeutic benefit outweighs the risk of entrapment.

**ASSIST RAIL WARNING**

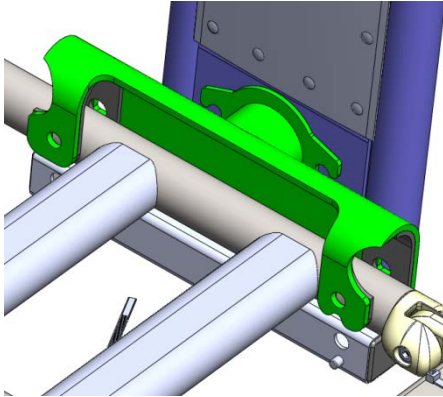
Other manufacturers assist rails/bars may not be compatible and can lead to entrapment issues or harm to patients. Only compatible Primus Medical assist bars and rails may be used on this bed. Make sure mattress is the correct size for bed frame and the assist bars are secured to frame to decrease the risk of entrapment.

**Installation:**

1. Remove the half rails from the packaging.
2. Remove the 2 knobs from the mounting bolts for one half rail.



3. Install the left or right side half rail by lowering the half rail over the top of the bed deck lining up the holes in the half rail mounting bracket with the holes in the square tube on the deck.  
NOTE: There are alignment pins that must be paid attention to. These pins help with the identification of the appropriate mounting positions.

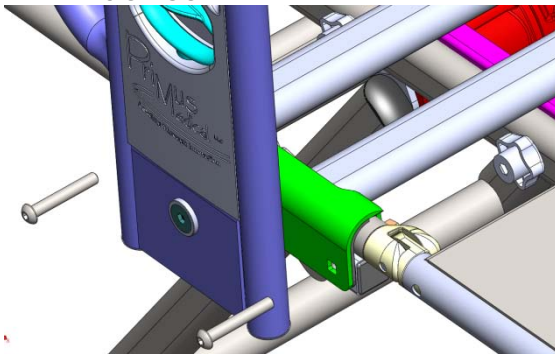


4. Insert the 3/8"x2.5" square neck bolts from the outside of the bed frame and install the knobs on the ends of the bolts.



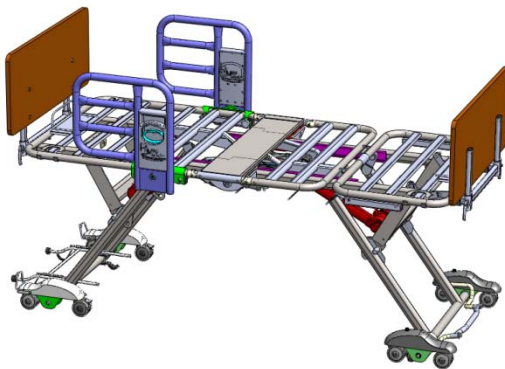
**WARNING**

The knobs must be installed tightly to ensure proper mounting of the device.



5. Repeat the procedure for the opposite side.

**Assist bar mounting positions and orientations:**



Head deck only

**Cleaning Instructions:****WARNING**

If cleaning assist bars while still mounted to the bed frame, all bed frame cleaning instructions must be followed.

- Prior to cleaning unplug power supply cords
- Sanitize and wash all components. DO NOT submerge the assist bars.
- Use standard water pressure. DO NOT power wash or steam clean any parts
- Rinse completely with water (Maximum temperature 110°F or 43°C). Solvents, alcohol or petroleum should not be used on the bed.
- Make sure all parts are dry before using or storing

**NOTE:** THIS DEVICE IS NOT COMPATIBLE WITH WASHDOWN TUNNELS

**Inspections:****WARNING**

Failure to take care of your device may decrease the life of your product and increase maintenance.

***Always inspect and service the device at the required intervals.***

**INITIAL INSPECTION**

- Inspect All Components.
- Check components for obvious damage.
- Verify proper function.

**Quarterly Maintenance Check**

- Inspect all welds for cracks.
- Ensure proper function of the device.
- Inspect all fasteners for looseness and wear. Replace or tighten as necessary.
- Ensure no tubes are bent.

**ADVICE TO RESPONSIBLE ORGANIZATION**

- Carry out all adjustment and cleaning procedures specified.
- Assembly of this device and modifications made during the actual service life require evaluation to the requirements of IEC 60601-1 and IEC 60601-2-52.
- Dispose of this device following all local rules and regulations.

