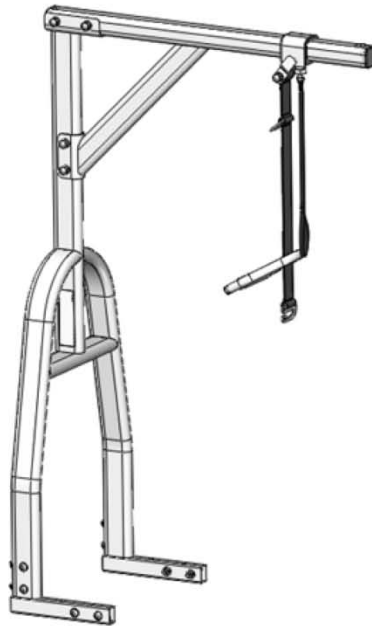


PrimUS MEDICAL

PRIMECARE®
PCB301/601 Trapeze
OWNER'S MANUAL



PrimeCare™ Bed 301/601 Trapeze

Contents

PrimeCare™ Bed 301/601 Trapeze	2
STANDARD CONVENTIONS USED	3
IMPORTANT SAFETY INSTRUCTIONS	4
TECHNICAL SPECIFICATIONS	5
FEATURES	5
OPERATING INSTRUCTIONS	6
LEFT/RIGHT REFERENCE GRAPHIC	7
ASSEMBLY AND SETUP	7
TOOLS REQUIRED	7
HARDWARE CHART (1:1 scale)	7
INSTALLATION	8
CARE AND MAINTENANCE	9
INSPECTION	10
ADVICE TO RESPONSIBLE PARTY	10
WARRANTY	11
CORRECT DISPOSAL OF THIS PRODUCT	12

INTRODUCTION

Thank you for choosing PrimeCare™ B301/601 Trapeze. This product is an accessory to the PCB301/601. The trapeze is intended to support a portion of a person's weight to aid in the repositioning of their body.

STANDARD CONVENTIONS USED



DANGER

Information that appears under the DANGER description concerns the protection of personnel from direct and pending hazards that, if not avoided, will result in immediate, serious personal injury or death in addition to damage of the equipment.



WARNING

Information that appears under the WARNING description concerns the protection of personnel from possible hazards that can result in injury or death in addition to damage of the equipment.



CAUTION

Information that appears under the CAUTION description concerns the protection of personnel from possible hazards that may result in minor injury or damage of the equipment.

NOTE

Information that appears under the NOTE description gives added information, which helps in understanding the item being described.

IMPORTANT SAFETY INSTRUCTIONS

INTENDED USE – This product is intended to be used to support a portion of the user's weight while the user repositions their body. Please read the owner's manual for the bed and this accessory in their entirety before using the PrimeCare™ Bed 301/601 Trapeze.

DANGER –This product is intended to be mounted to the head end only.

WARNING – To reduce the risk of injury to persons:

1. Use this product **only** for its intended use as described in this manual. Do not use attachments not recommended by the manufacturer.
2. Do not use outdoors or in environments where temperature and humidity are not controlled.
3. This product is not intended for use by children or persons with reduced physical, sensory or mental capabilities, or lack of experience and knowledge, unless they have been given supervision or instruction concerning use of the product by a person responsible for their safety.
4. Children should be supervised to ensure that they do not play with the product.
5. No modification of this product is allowed.



WARNING

No modification of this equipment is allowed.

Possible Injury or Death may occur if replacement parts are not provided by Primus Medical, LLC® on any Primus Medical bed.

NEVER allow anyone under product at any time.

The weight capacity of this product is **200lbs (91 KG)**.

Body weight should be evenly distributed over the sleeping surface. Avoid situations where entire body weight is on a single segment of the mattress. This includes while assisting the user in repositioning or transferring out of bed.

Supervision is required when this product is operated by or near children or people with disabilities.

Ensure that the individual using this bed is properly positioned.

SAVE THESE INSTRUCTIONS

USE/STORAGE ENVIRONMENT INFORMATION

The recommended environment for operation of the bed is:

Ambient temperature: 17°C ~ 37°C (65°F-98°F)

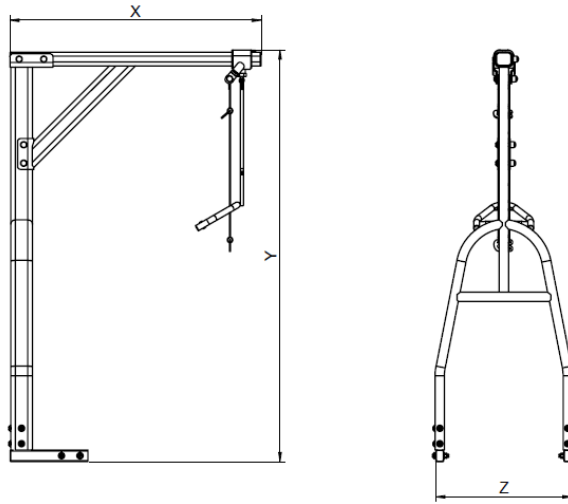
Relative humidity range: 30% ~ 90%

The recommended environment for storage/transportation is:

Ambient temperature: -10°C ~ 50°C (50°F~122°F)

Relative humidity range: 10% ~ 95%

TECHNICAL SPECIFICATIONS



ITEM	SPECIFICATION
Overall Width (X).....	32.1" (816 mm)
Overall Width (Z).....	17.3" (439 mm)
Overall Height (Y).....	52.6" (1337 mm)
Weight of Trapeze.....	32lbs (14.5Kg)
Maximum Weight Capacity (SWL).....	200 lbs (91 Kg)

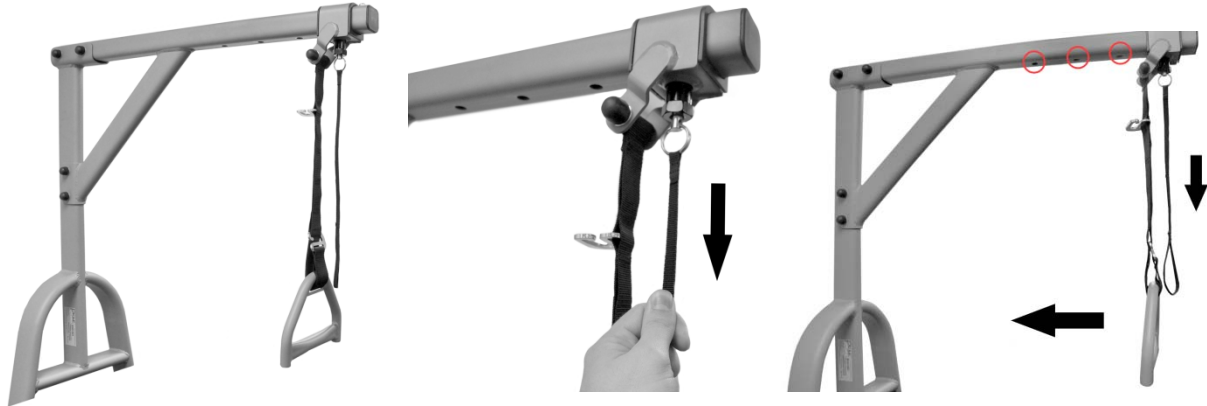
FEATURES

Standard Features

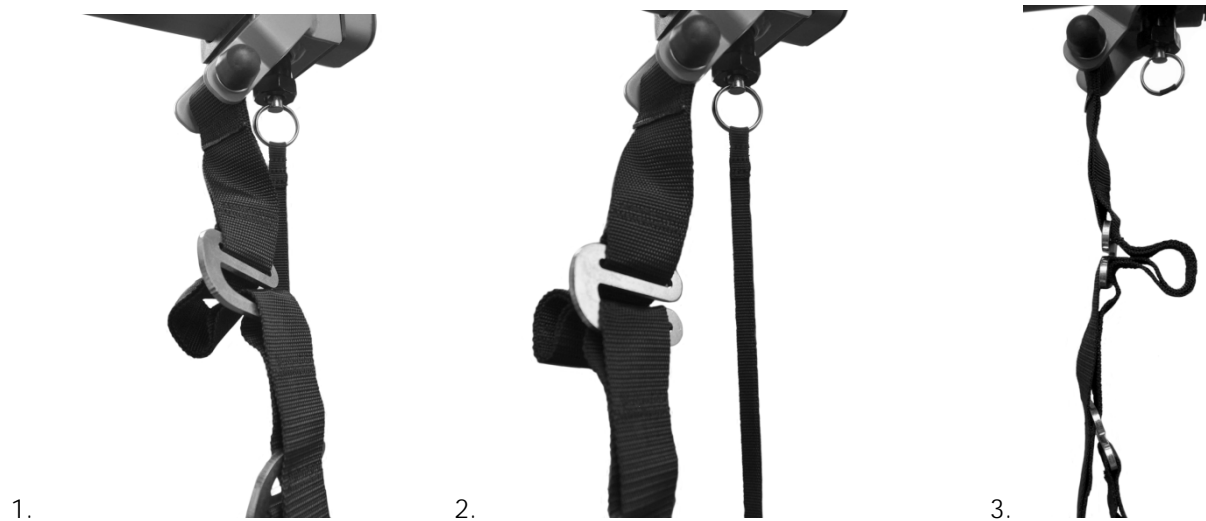
- Welded frame
- Adjustable handle
- Handle with strap

OPERATING INSTRUCTIONS

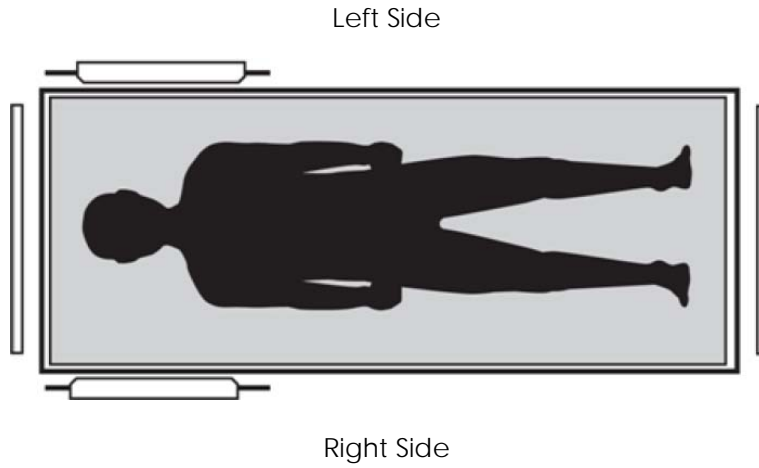
To adjust the position of the handle along the length of the boom; pull down on the locking pin rope and hold to release the pin. While holding the rope with the pin released, slide the mount to reposition into one of the four locking pin holes as desired. Repositioning while in bed can be achieved by pulling the release rope and pulling the trapeze handle in the direction of the adjustment.



Adjusting the height of the trapeze handle is done by manipulating the proprietary strap clips. The main strap of the trapeze handle features individual loop holes for height adjustment. Simply insert the fixed upper strap clip into a lower loop hole on the trapeze strap to safely and quickly raise the trapeze handle.



LEFT/RIGHT REFERENCE GRAPHIC

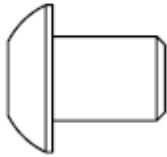


ASSEMBLY AND SETUP

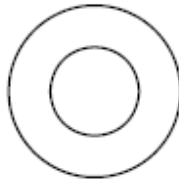
TOOLS REQUIRED

7/32" Allen wrench (This tool is not provided)

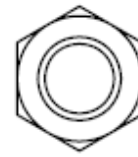
HARDWARE CHART (1:1 scale)



Qty 8 3/8" -16*3/4" BHCS



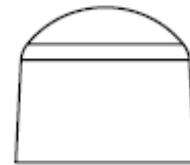
Qty 24 3/8" Washer



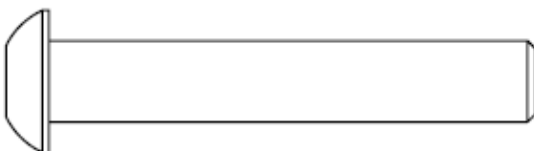
Qty 8 3/8" Nylock Nut



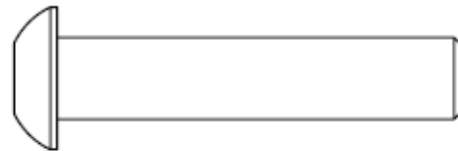
Qty 2 3/8" -16*3 BHCS



Qty 4 Nut Cover



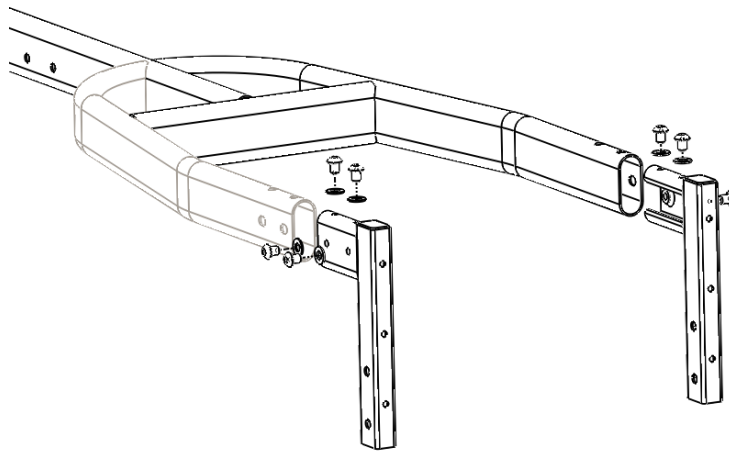
Qty 2 3/8" -16*2 1/4" BHCS



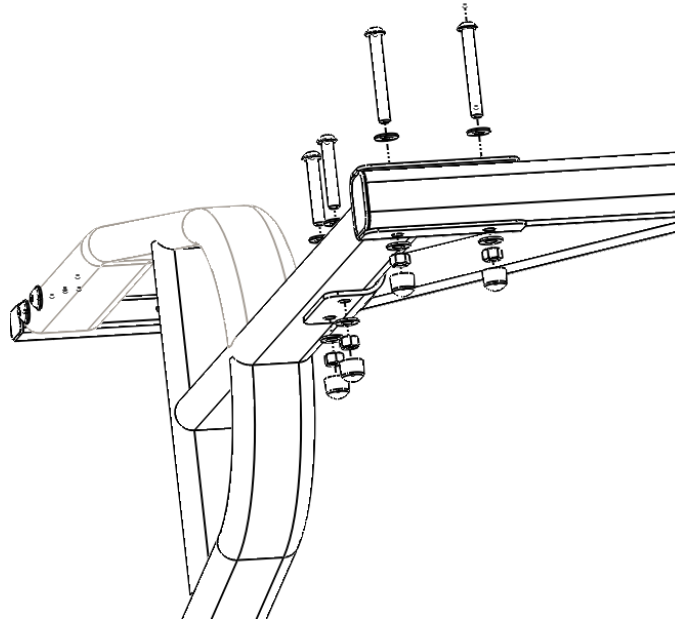
Qty 2 3/8" -16*1 3/4" BHCS

INSTALLATION

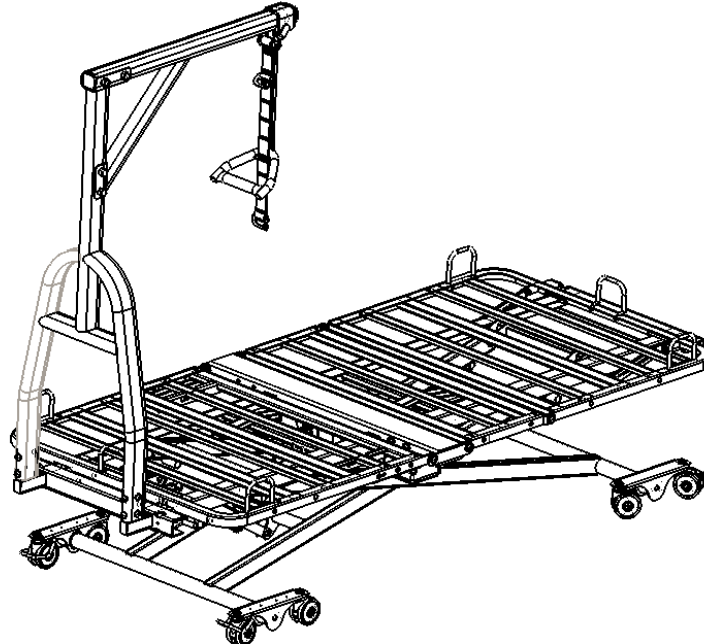
- Attach the left and right bed mounting brackets to the trapeze frame using 8 washers and 8 bolts (3/8"-16x3/4"). Tighten with a 7/32" Allen wrench.



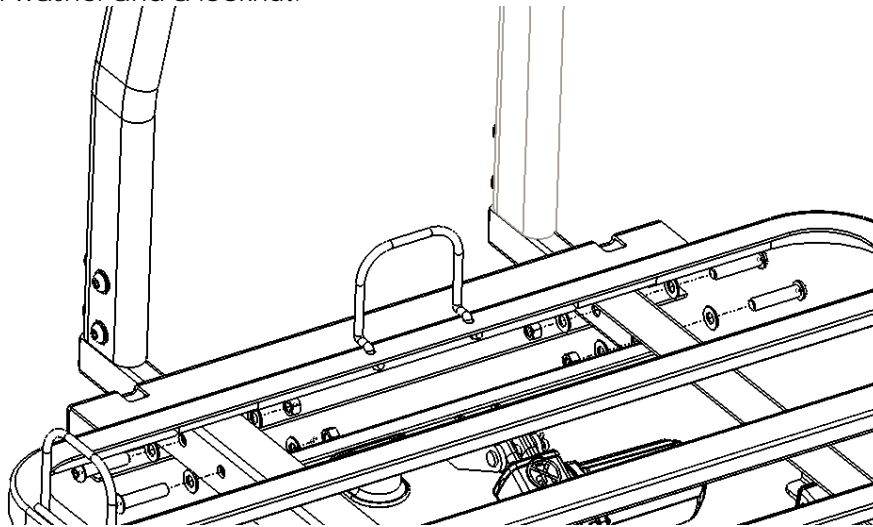
- Attach the horizontal boom to the bracket on the top of trapeze frame. Insert the bolt (3/8"-16*3") through the washer and holes, and fasten with a washer and a locknut. Cap the nut with protective nut cover.
- Bolt the lower bracket to the upright boom. Insert the bolt (3/8"-16*2 1/4") through the washer and holes, and fasten with a washer and a locknut. Cap the nut with protective nut cover.



- Set the trapeze in an upright position and slide both the left and right bed mounting brackets into the square holes on the head of the bed frame.



- Tighten the trapeze to the bed frame in 4 places using a washer, a bolt (3/8"-16x1-3/4"), the second washer and a locknut.



CARE AND MAINTENANCE

Cleaning Instructions

- Clean the equipment with soap and warm water.
- Solvents, alcohol or petroleum should not be used on the device.
- Make sure all parts are dry before using or storing.

NOTE: THIS PRODUCT IS NOT COMPATIBLE WITH WASHDOWN TUNNELS



CAUTION

Equipment, property DAMAGE or user INJURY can occur during maintenance.

INSPECTION

Failure to take care of your product may decrease the life of your product and increase maintenance.

Always service the product at the required intervals.

INITIAL INSPECTION

- Inspection of All Components - Receipt of trapeze
- Check components for obvious damage
- Inspect welds for any cracks or obvious issues
- Verify hardware content and quantity

RECOMMENDED INSPECTION CRITERIA

Quarterly Inspection

- Inspect all welds for cracks
- Inspect all fasteners for looseness and wear. Replace or tighten as necessary
- Check handle support strap for wear and damage
- Check for proper function

Semi-Annual Inspection

- Perform all Quarterly inspections
- Ensure no tubes are bent

Annual Inspection

- Perform all Semi-Annual inspections
- Inspect fasteners for wear or damage

ADVICE TO RESPONSIBLE PARTY

- Carry out all adjustment and cleaning procedures specified.



WARNING

Before doing any repairs or maintenance to the product, read all instructions, cautions, and warnings. The repairs should be done by a skilled technician.

WARRANTY

The PrimeCare B301/601 Trapeze, is guaranteed for a 2 year period from the date of delivery. The guarantee is against any defects in materials and workmanship, under normal use and service.

This 2 year warranty includes mechanical parts and components. Welds are covered under limited lifetime¹ warranty of the product. Steel structural components are covered under the 10-year warranty from the date of delivery.

Damage caused by inappropriate environmental conditions, mistreatment or failure to maintain the product in agreement with user and service instructions is not covered under warranty.

Any change, adjustments, or repair unless performed by anyone other than an authorized technician will void the warranty.

Parts

The PrimeCare B301/601 contains a variety of parts that wear from normal use. Some products are not covered under the 2-year warranty but do fall under the 90 day warranty. Primus Medical's responsibility under this warranty is limited to supplying replacement parts, servicing or replacing, at its option.

Warranty replacement parts are covered by the warranty until the product's 2- year warranty period expires. For warranty replacement, Primus Medical may request that broken parts be sent back to them for evaluation. If applicable a credit will be issued only after the evaluation.

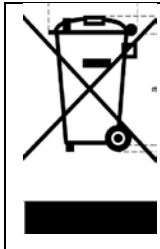
Servicing

Service is only to be performed by authorized service personnel. If unauthorized service is performed on any components the warranty is void. This warranty is extended to the original purchaser of the equipment.

¹ Weld lifetime defined as 10 years

CORRECT DISPOSAL OF THIS PRODUCT

- Many components of this product may be recycled.
- Please dispose of non-recyclable items properly.



This marking indicates that this product should not be disposed with other household wastes throughout the EU. To prevent possible harm to the environment or human health from uncontrolled waste disposal, recycle it responsibly to promote the sustainable reuse of material resources. To return your used device, please use the return and collection systems or contact the retailer where the product was purchased. They can take this product for environmental safe recycling.