



PPBAFSTRAP Freestanding Trapeze
OWNER'S MANUAL

STANDARD CONVENTIONS USED IN THIS MANUAL

Note: The information within this document is subject to change without notice. This manual includes important information about safety of personnel and equipment. As you read through this manual be aware of the four signal terms.

**DANGER**

Information that appears under the DANGER description concerns the protection of personnel from direct and pending hazards that, if not avoided, will result in immediate, serious personal injury or death in addition to damage of the equipment.

**WARNING**

Information that appears under the WARNING description concerns the protection of personnel from possible hazards that can result in injury or death in addition to damage of the equipment.

**CAUTION**

Information that appears under the CAUTION description concerns the protection of personnel from possible hazards that may result in minor injury or damage of the equipment.

NOTE

Information that appears under the NOTE description gives added information, which helps in understanding the item being described.

DEVICE DESCRIPTION & TECHNICAL SPECIFICATIONS

DEVICE DESCRIPTION

The PrimePlus® bariatric free standing trapeze is a floor mounted devices that allows patients to reposition themselves in bed.

TECHNICAL SPECIFICATIONS

Item #	SP02-PPBAFSTRAP
Total Height	69 ½"
Total Width	32 ½"
Total Depth	58"
Width Between Legs	28 ½"
Boom Length	40"
Product Weight	97 lbs.
Shipping Weight	110 lbs.
Weight Capacity	750 lbs.

ASSEMBLY & DIRECTIONS FOR USE

TRAPEZE PACKAGE CONTENTS:

- (2) Main Frame Legs
- (1) Mid-Section
- (1) Boom
- (1) Bar and Handle
- (12) ½" Bolts and Washers
- (4) 6" Bolts, Washers and Lock Nuts
- (4) End Caps to go over Lock Nuts

REQUIRED TOOLS FOR ASSEMBLY:

- 7/32 Hex Key
- 9/16 Wrench

Prior to installation, verify that all package contents have been received in good condition. If components are damaged or missing, contact Primus Medical immediately. DO NOT use substitute parts or assemble the while missing parts.



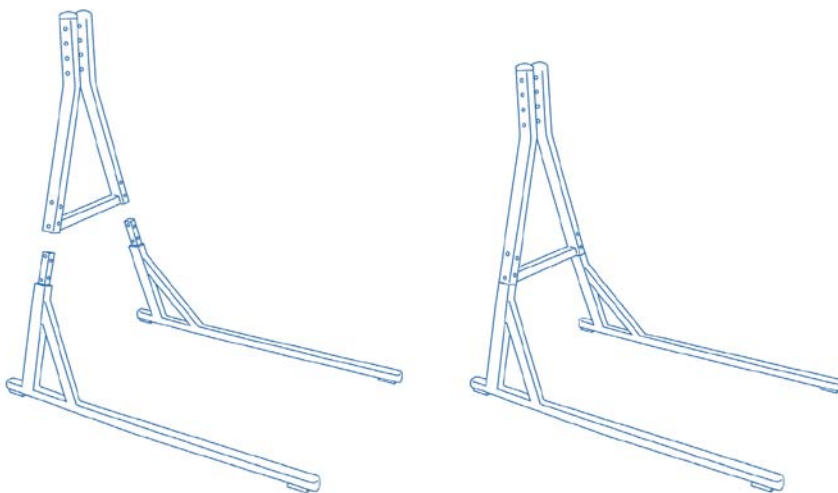
ASSEMBLY & DIRECTIONS FOR USE

STEP 1

Clear a work space and remove all contents from shipping box. You can use the top of the box to place unwrapped items in.

STEP 2

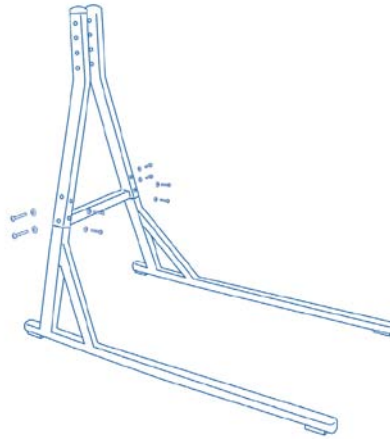
Place trapeze legs on the floor. Make sure foot pads are on the floor. Next, attach the mid-section on the posts coming up from the trapeze legs.



ASSEMBLY & DIRECTIONS FOR USE

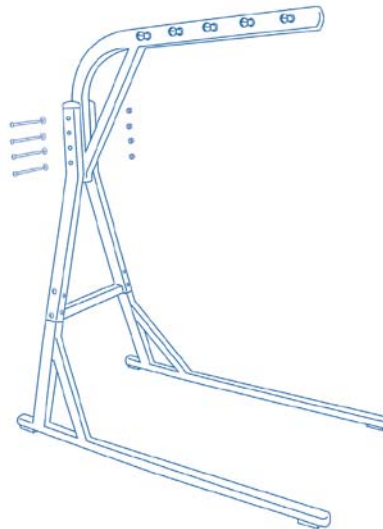
STEP 3

Use the (12) ½" hex bolts and washers to attach the mid-section to the trapeze legs.



STEP 4

Use the (4) 6" hex bolts, washers and lock nuts to attach the trapeze boom to the mid-section.

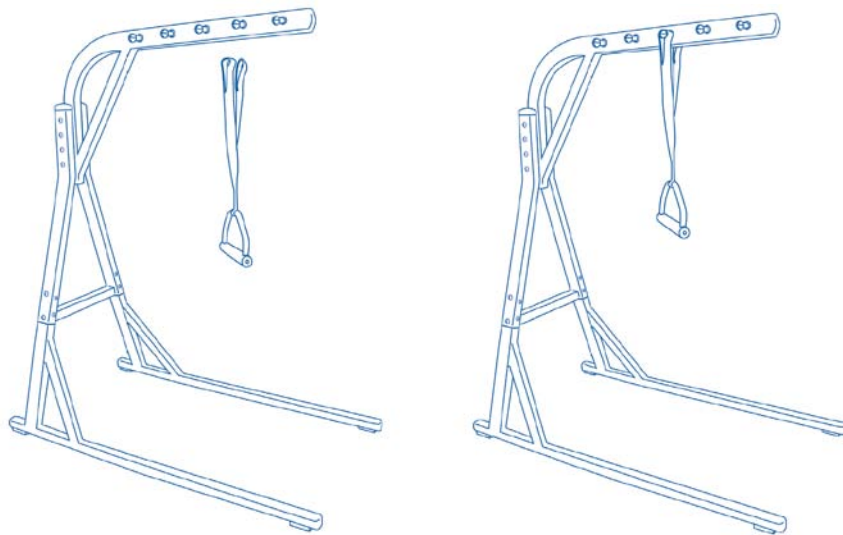


ASSEMBLY & DIRECTIONS FOR USE**STEP 5**

Check to ensure that all bolts are tightened and secure. Not doing so may result in injury to the patient/resident or staff.

STEP 6

Attach the trapeze handle to an appropriate spot for the resident.



YOU HAVE NOW COMPLETED THE ASSEMBLY OF YOUR PRIMUS MEDICAL BARIATRIC FREE-STANDING TRAPEZE. Be sure to double-check all bolts and part placements on the trapeze. Also, be sure to remove all packaging materials from the area before allowing residents into the area.

Prior to use, be sure to read and refer to the full Owner's Manual for additional warnings. ALWAYS test this device prior to each use.

CLEANING AND MAINTENANCE

The trapeze frame should be cleaned periodically using a mild detergent and water. Be sure to completely dry the trapeze frame before use. When washing the trapeze straps, use only mild detergent and water. **DO NOT USE BLEACH.** Allow straps to completely air-dry before use. Do not place straps in dryer.

On a quarterly basis, all hardware on the trapeze should be checked and tightened, the frame should be inspected to check for wear or damage, and the strap should be inspected for wear or damage.

PRIMUS MEDICAL, LLC LIMITED WARRANTY

Primus Medical has a limited warranty on the PrimePlus® Bariatric Free-Standing Trapeze. This guarantee is against defects in materials and craftsmanship, under normal use and service.

Damage caused by use in inappropriate environmental conditions, mistreatment or failure to maintain the product in agreement with user and service instructions is not covered under warranty.

The warranty does not cover device failure due to misuse or negligence, normal wear and tear. The warranty does not extend to non-durable components, such as casters, grips and rubber accessories, which are subject to normal wear and tear need periodic replacement.

If there are any questions about your Primus Medical walker or warranty, please contact Primus Medical at 1.877.638.2776.